

MORGAN RACER SCOOT-STER

Owner's Manual

[Please keep this Owner's Manual for future reference. If you sell or give this product to someone, please include this Owner's Manual, and ask the new owners to read the instructions completely before operating.]

PRIOR TO ASSEMBLY:

Please read this Owner's Manual completely before assembling or operating this product. Assembly of this product should be carried out by an adult.

All parts are Wrapped in packing material to prevent damage during shipment. Remove all packing materials from the box prior to assembly. Save all packing materials until assembly is complete to make sure no parts are accidentally thrown away. After assembly is complete, properly discard all waste.

Refer to the Parts and Tools List and Diagram on this page of this manual to make sure all parts are accounted for.

Do not return this product to the store! If any parts are missing or damaged, please contact one of our Customer Service Representatives by phone at 1-973-960-2688,

IMPORTANT SAFETY INFORMATION:

WARNING Never leave your child unattended on this SCOOT-STER!

WARNING This SCOOT-STER does not have a brake.

WARNING Recommended for ages 1 through 3!

WARNING Maximum weight capacity of rider is 45 pounds on this SCOOT-STER!

WARNING A scoot-ster requires a wide turning radius! Use caution when turning!

WARNING Do not ride over curbs! Avoid bumps and potholes! Do not turn sharply!

WARNING Do not ride at night! Do not ride barefoot!

WARNING Do not ride in wet weather or when road surface is slippery!

WARNING Periodically re-check all fasteners to make sure they are tight!

TOOLS REQUIRED FOR ASSEMBLY:

Hammer, Adjustable Wrench, Screw Driver **Adult Assembly Required!**

Parts List

Qty	Description
1	Scoot-ster Body
1	Steering Wheel
1	Saddle
1	Steering Column
1	Rear Axle
1	Steering Rod with plastic tube, and plastic washer
1	Hardware Bag
1	Steering Mechanism
2	Small Front Wheels
2	Large Rear Wheels

MORGAN CYCLE LLC
Union, New Jersey 07083
www.morgancycle.com

Hardware Set Components

Qty	Description	Qty	Description
2	Spacers	5	Hub Cap
9	M5 Bolt, Nut and Washers Set		
1	M3 Lock Nut Bolt Set		

Your New Racer Scoot-Ster will look like the picture of Figure 1.



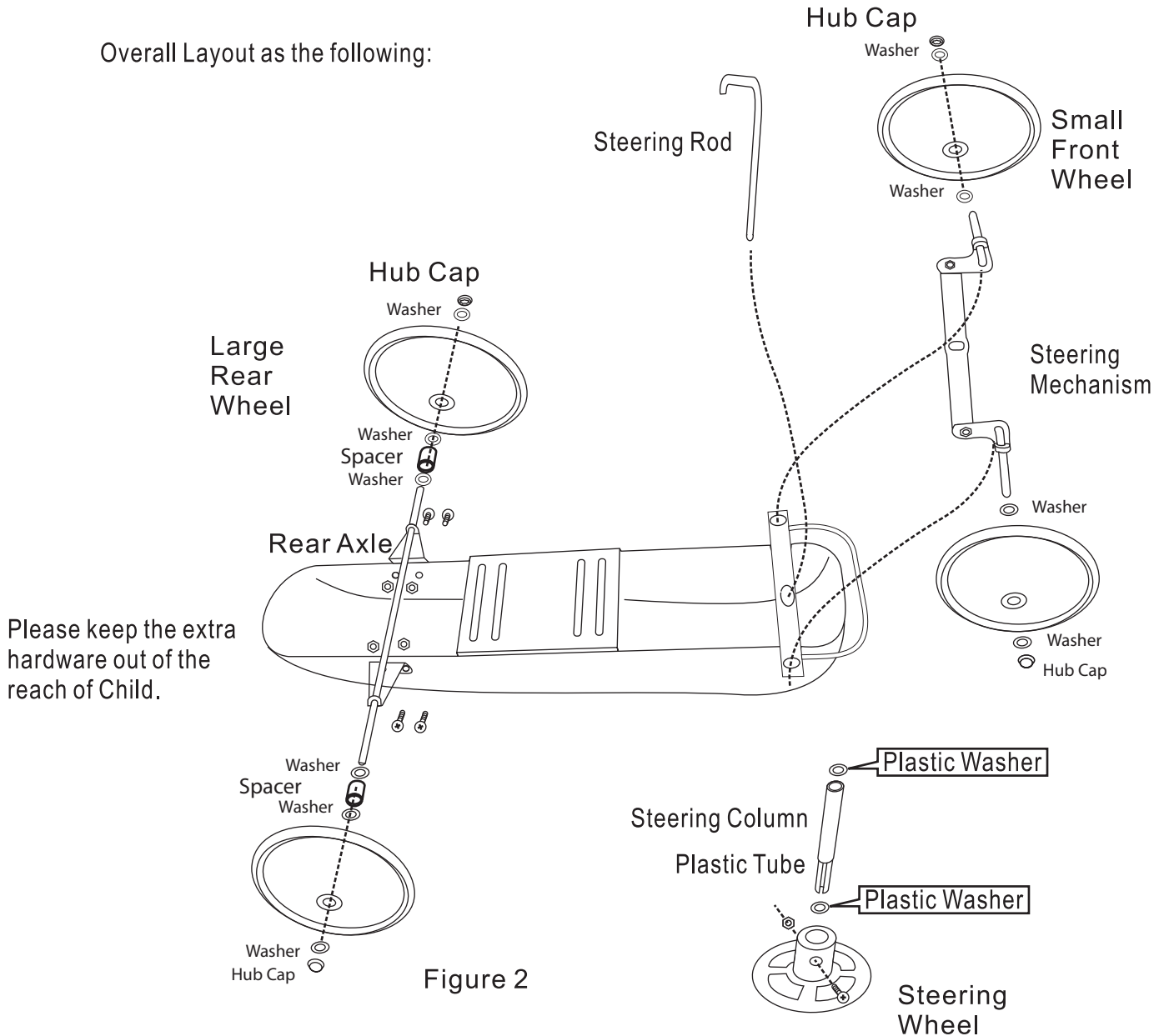
Figure 1

Questions? Service or Comments
help@morgancycle.com or call 973-960-2688

Open carton, remove contents, and compare contents with parts list Note: To prevent scratching of the frame, it is recommended that you lay the parts out on top of a flattened cardboard box, or other soft surface.

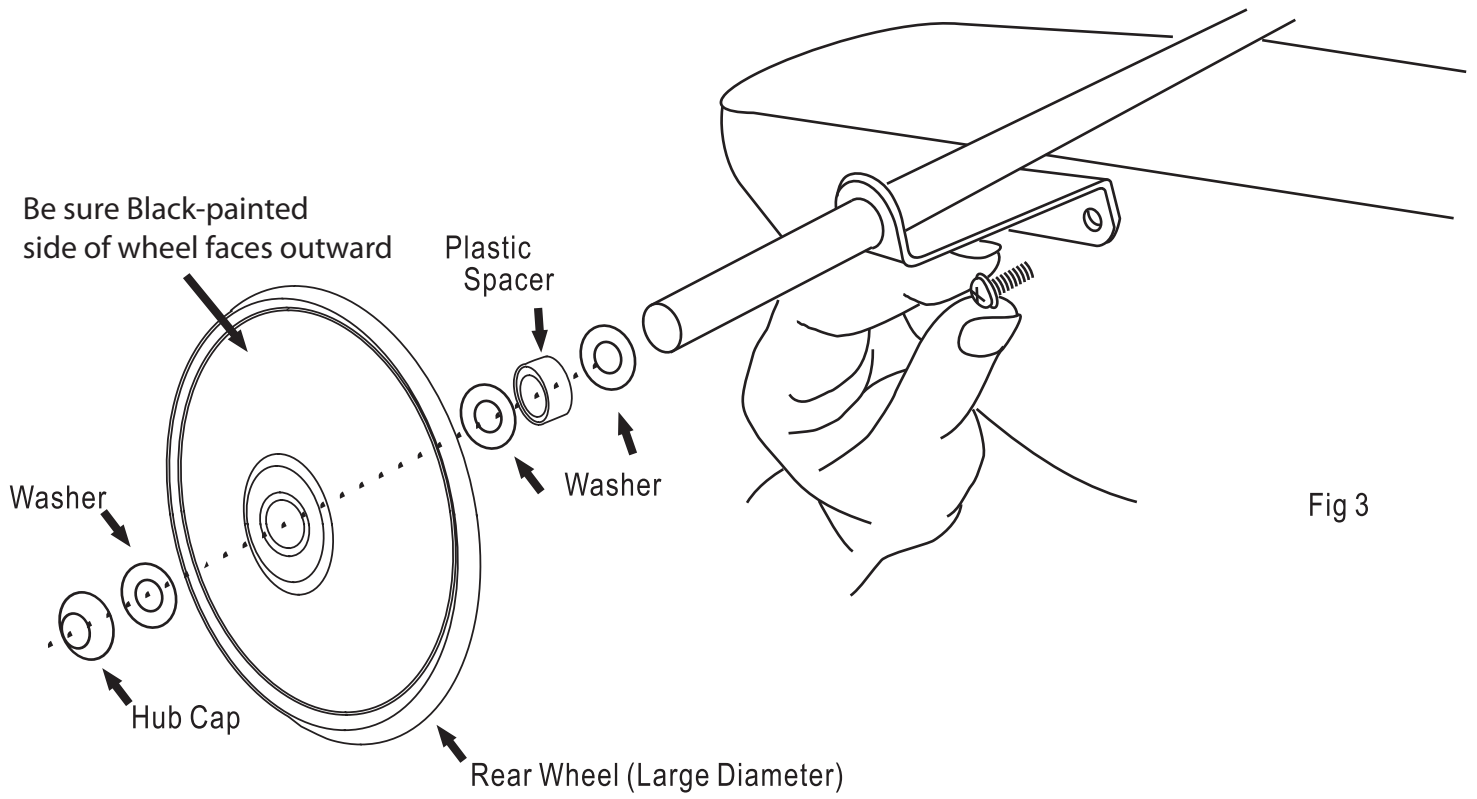
Assembly Instructions

Overall Layout as the following:

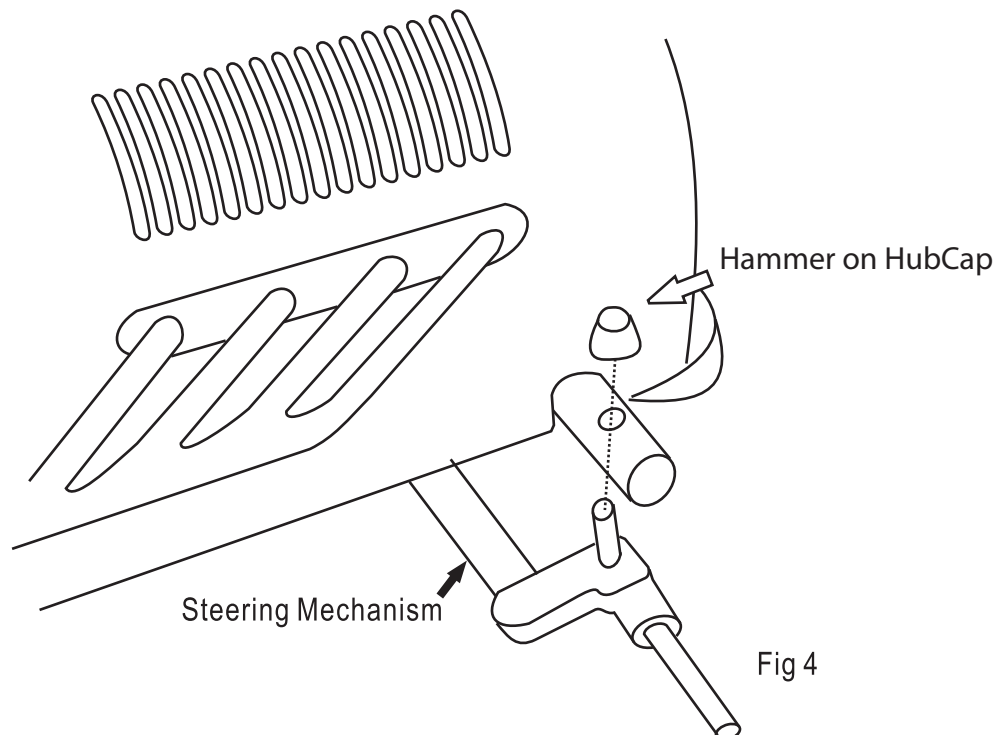


Note: Information contained in Owners Manual may be changed or updated. Please visit our website listed below: www.morgancycle.com

Step 1: Attach Rear Axle onto the Body using M5 Bolt Nut & Washer Set. Slide on plastic spacer, then Large Rear Wheel. Use Hammer to tap-in Hub Cap. As shown at Fig. 3



Step 2: Slide on Steering Mechanism from underside. Use Hammer to tap-on HubCap as shown below.



Step 3: Insert Steering Rod ("J" shape) up from bottom center of Steering Mechanism thru top of Car body. Make sure the "J" hook points rearward. Slide the following parts onto top of Steering Rod in this sequence:

Washer #1 > Plastic Sleeve > Steering Column > Washer #2 > Steering Wheel

Secure Steering Rod to Steering Wheel using M3 x 24mm Bolt Nut.

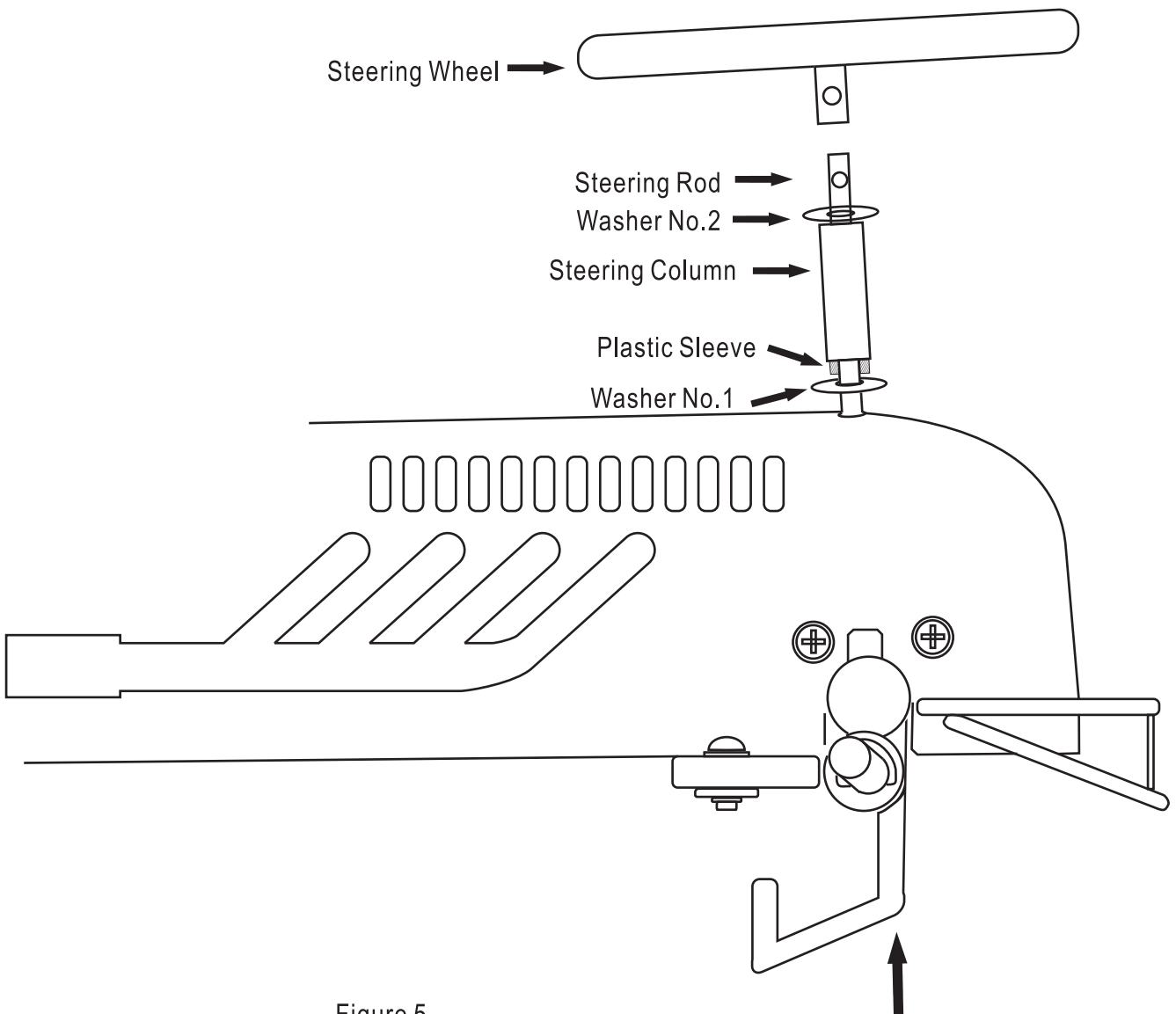


Figure 5