

# Morgan Sleigh Owner's Manual

[Please keep this Owner's Manual for future reference. If you sell or give this product to someone, please include this Owner's Manual, and ask the new owners to read the instructions completely before operating.]

## PRIOR TO ASSEMBLY:

Please read this Owner's Manual completely before assembling or operating this product. Assembly of this product should be carried out by an adult.

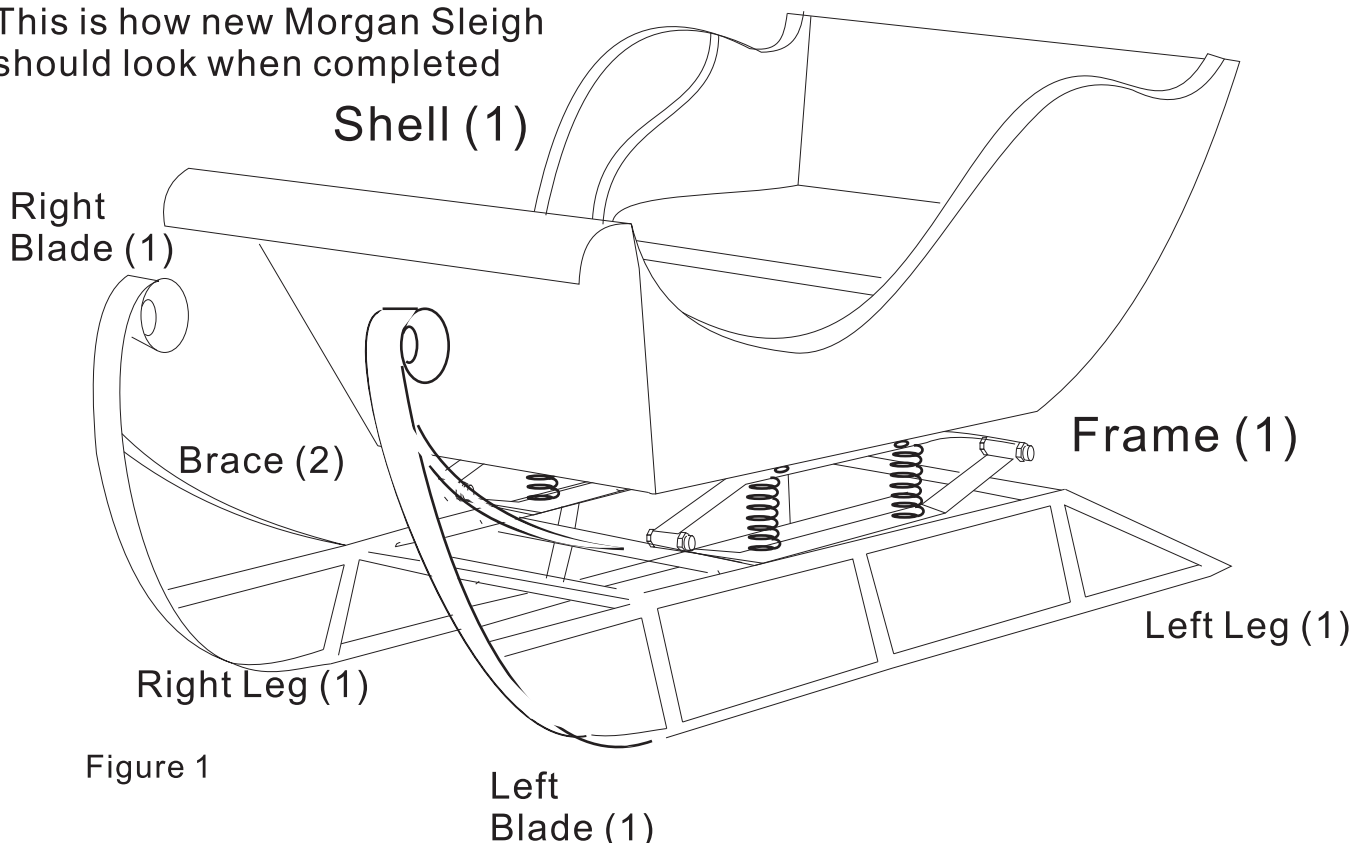
All parts are Wrapped in packing material to prevent damage during shipment. Remove all packing materials from the box prior to assembly. Save all packing materials until assembly is complete to make sure no parts are accidentally thrown away. After assembly is complete, properly discard all waste.

**TOOLS REQUIRED FOR ASSEMBLY:** Wrench, Screw Driver

### Components List (shown as Figure 1)

Qty	Description
1	Shell, with seat and floor mate.
1	Frame, with 4 M8 Flat Head Bolts, 4 M6 Hex Head Bolts and 4 Crown Nuts.
1	Left Leg with 5 M6 Flat Head Bolts.
1	Right Leg with 5 M6 Flat Head Bolts.
2	Brace, with 2 M6 Flat Head Bolt, 2 M6 Hex Head Bolt and 4 Crown Nuts.
1	Left Long Blade.
1	Right Long Blade.

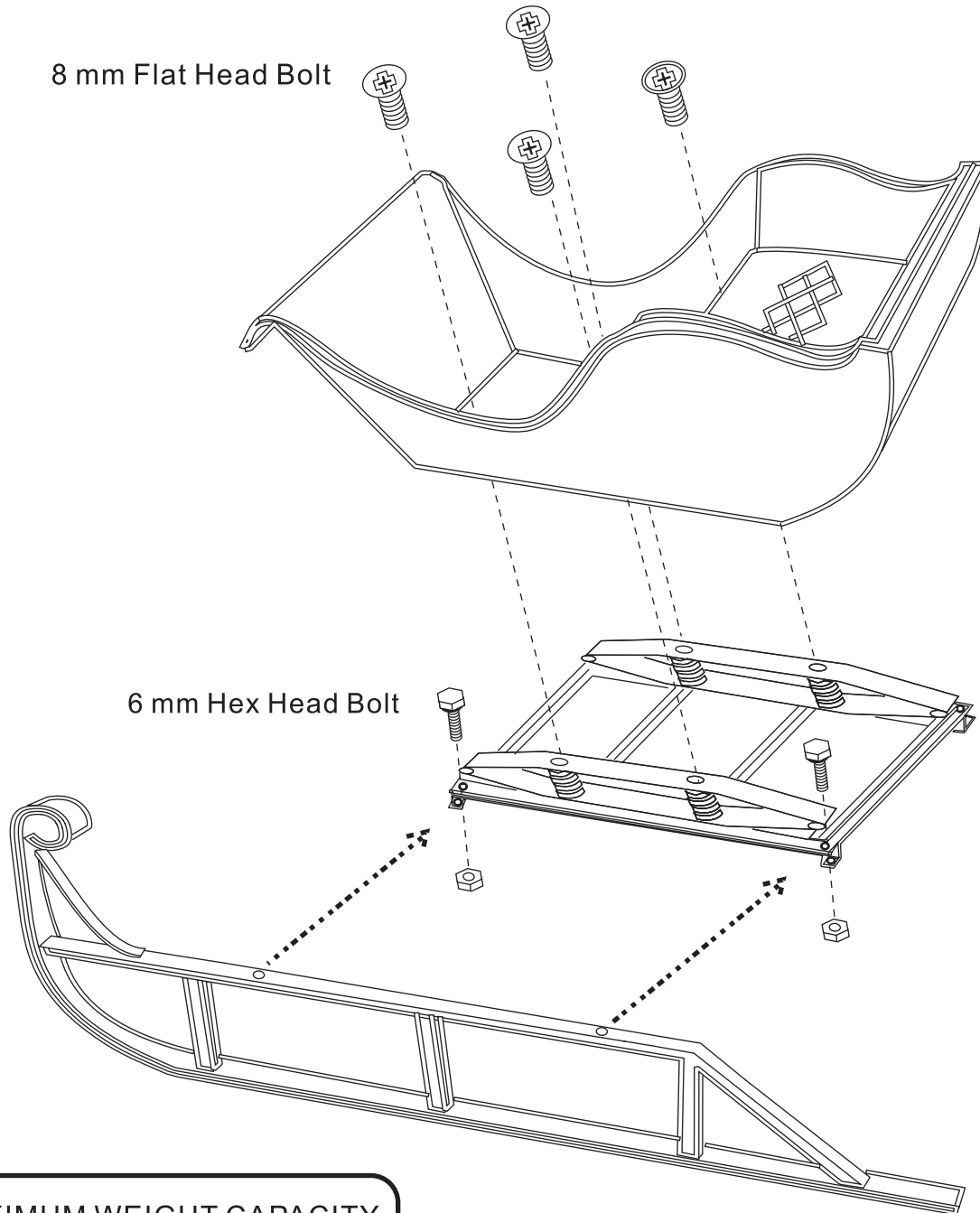
This is how new Morgan Sleigh should look when completed



# Assembly Instructions for Morgan Sleigh

**⚠ Adult assembly required!**

Do not return this product to store! If any parts are missing or damaged, please contact Customer Service by phone at 1-973-218-9233 or e-mail [help@morgancycle.com](mailto:help@morgancycle.com)



**MAXIMUM WEIGHT CAPACITY  
OF RIDER IS 100 POUNDS**

Figure 2