

Morgan Airmail Airplane OWNER'S MANUAL

[Please keep this Owner's Manual for future reference. If you sell or give this product to someone, please include this Owner's Manual, and ask the new owners to read the instructions completely before operating.]

Congratulations for choosing your new Morgan Airmail Airplane. We have carefully constructed your Morgan Airmail Airplane so that its safety and performance meet the highest standards. Make sure the size of the Morgan Airmail Airplane meets your child's personal requirements and Morgan Ace Biplane is assembled and adjusted by an adult. With proper care and maintenance, your new Morgan Airmail Airplane will give your child riding pleasure for years to come. Some illustrations may vary from actual airplane as delivered.

Adult assembly required!

PRIOR TO ASSEMBLY:

- Please read this Owner's Manual completely before assembling or operating this product.
- Assembly of this product should be carried out by an adult.
- All parts are Wrapped in PACKING MATERIAL to prevent damage during shipment. Remove all packing materials from the box prior to assembly. Save all packing materials until assembly is complete to make sure no parts are accidentally thrown away. After assembly is complete, properly discard all waste.
- Refer to the Parts List and Diagram on page two of this manual to make sure all parts is accounted for.
- **DO NOT RETURN** this product to the store! If any parts are missing or damaged, please contact one of our Customer Service Representatives by e-mail: help@morgancycle.com or (973) 218-9233.

Tools Required For Assembly: 6" Screw Driver and Wrench

Your Morgan Ace Biplane will look as the picture shown as below, Figure 1.

Recommended for ages 1.5 through 3!

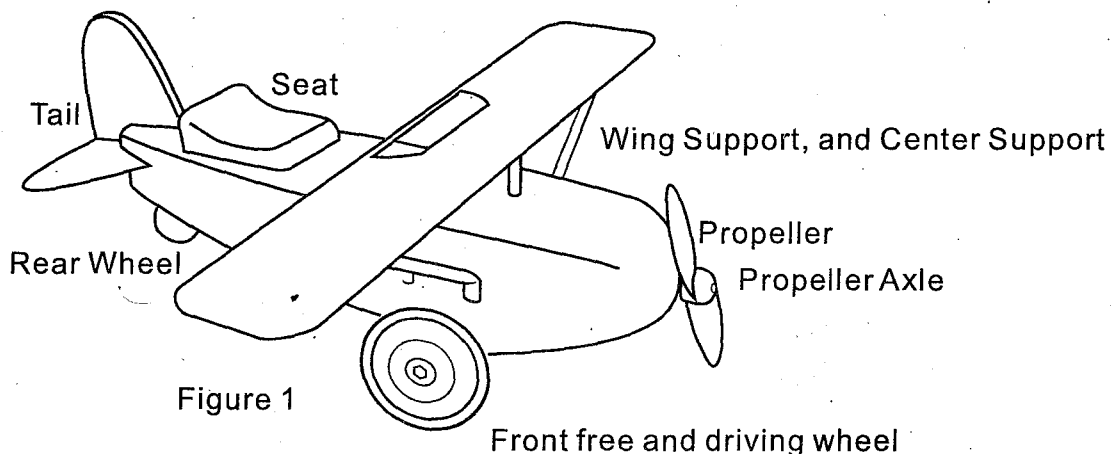


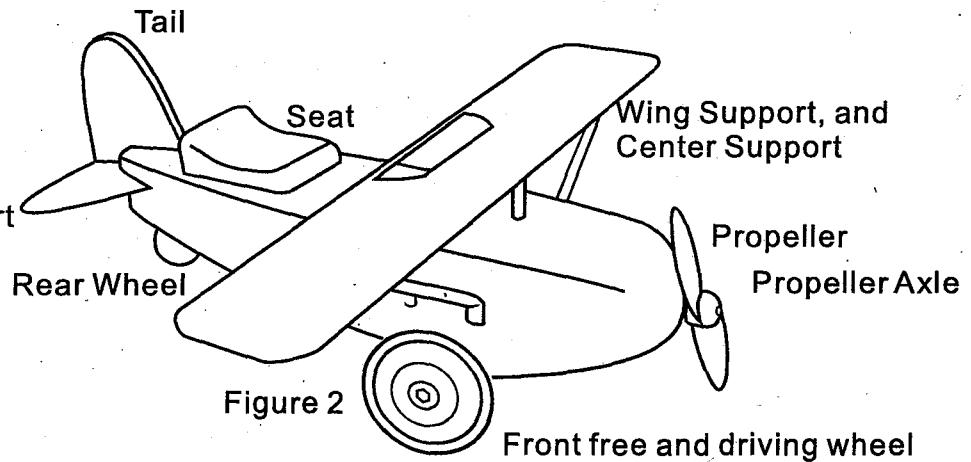
Figure 1

Front free and driving wheel

Questions? Service or Comments
help@morgancycle.com or call 973-218-9233

Parts List

- 1 - Airplane Body
- 1 - Rear Wheel
- 1 - Propeller
- 1 - Wing
- 2 - Center Support
- 4 - Wing Support

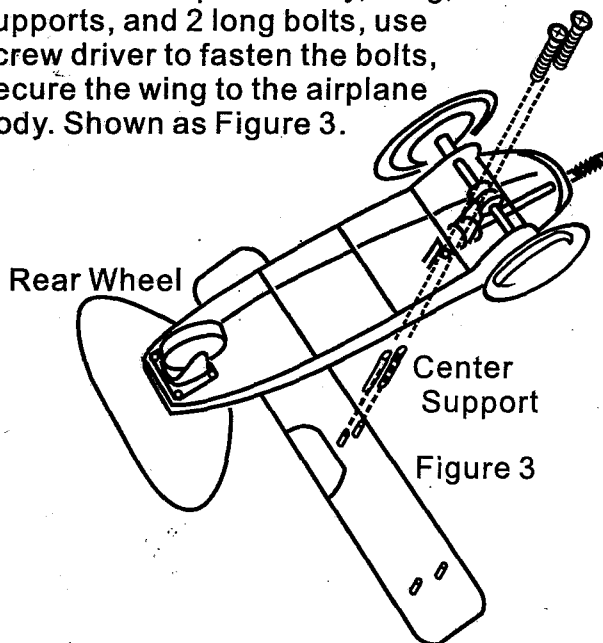


Tools Required For Assembly: 6" Screw Driver and Wrench.

⚠ Adult assembly required!

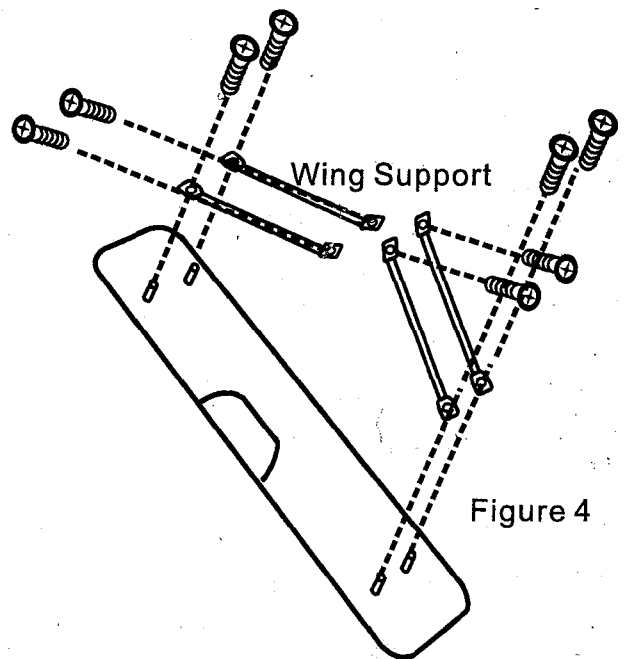
Recommended for ages 1 through 3!

Step 1 Located the airplane body, wing, 2 center supports, and 2 long bolts, use screw driver to fasten the bolts, secure the wing to the airplane body. Shown as Figure 3.

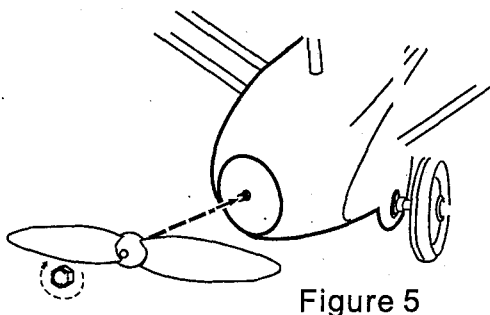


Step 2

Located the airplane body, and the rear wheel, use 4 bolts and screw driver to fasten the bolts, Shown as Figure 3.



Step 3 Use screw driver to fasten the 4 Wing Supports to the airplane by the 8 bolts. Shown as Figure 4.



Step 4 : Twisting the head nut in Clockwise direction by hand, screw the head nut onto the front screw of Airplane nose. Shown as Figure 5.