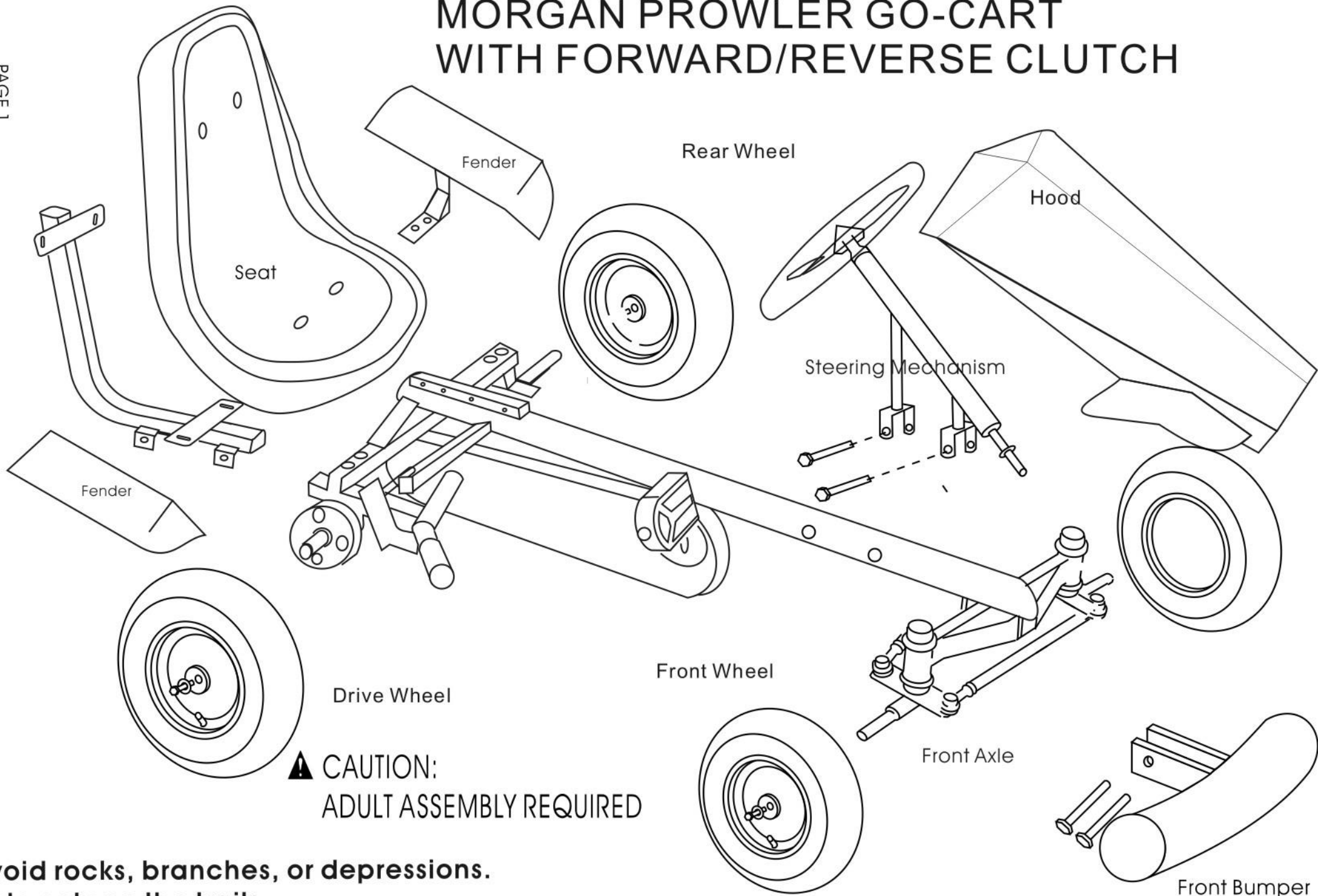


MORGAN PROWLER GO-CART WITH FORWARD/REVERSE CLUTCH

PAGE 1



Avoid rocks, branches, or depressions.

Ride only on the trails.

Wear protective clothing including a helmet, eye protection, and gloves.

MORGAN CYCLE Pedal Car

PROWLER GO-CART with Forward/Reverse Clutch

Owner's Manual

[Please keep this Owner's Manual for future reference. If you sell or give this product to someone, please include this Owner's Manual, and ask the new owners to read the instructions completely before operating.]

PRIOR TO ASSEMBLY:

- Please read this Owner's Manual completely before assembling or operating this product.
- Assembly of this product should be carried out by an adult.
- All parts are Wrapped in PACKING MATERIAL to prevent damage during shipment. Remove all packing materials from the box prior to assembly. Save all packing materials until assembly is complete to make sure no parts are accidentally thrown away. After assembly is complete, properly discard all waste.
- Refer to the Parts List and Diagram on page one of this manual to make sure all parts is accounted for.
- **DO NOT RETURN this product to the store!** If any parts are missing or damaged, please contact one of our Customer Service Representatives by e-mail: **help@morgancycle.com** or **(973) 218-9233**.

▲ CAUTION:

ADULT ASSEMBLY REQUIRED

IMPORTANT SAFETY INFORMATION:

- ▲ **WARNING** Always wear an approved safety helmet when riding!
- ▲ **WARNING** Never leave your child unattended on this product!
- ▲ **WARNING** Make sure the hand brakes function properly!
- ▲ **WARNING** Never allow more than one rider on pedal car.
- ▲ **WARNING** Recommended for ages 6 through 11! Maximum weight capacity of rider is 90 pounds!
- ▲ **WARNING** Make sure the child riding the Pedal Car understands how to operate it correctly!
- ▲ **WARNING** Do not ride over curbs! Avoid bumps and potholes! To avoid tipping over, do not turn sharply!
- ▲ **WARNING** Tire should be inflated to the pressure reading shown on the tire sidewall! Check before each use! Use a foot pump or hand pump to inflate tires! Pressurized air hoses can cause over inflation! Do not over inflate!
- ▲ **WARNING** Do not ride at night! Do not ride barefoot! Always wear a helmet!
- ▲ **WARNING** Do not ride in wet weather or when road surface is slippery!
- ▲ **WARNING** Periodically re-check all fasteners to make sure they are tight!

TOOLS REQUIRED FOR ASSEMBLY:

- 2 Adjustable wrenches: medium size 6" - 8"
- Screw driver

PARTS LIST

ALL NUTS/BOLTS ARE PRE-LOCATED ON PART FOR YOUR CONVENIENCE

<u>QTY</u>	<u>DESCRIPTION</u>	<u>QTY</u>	<u>DESCRIPTION</u>
1	Frame w/front axle, pedals, chain(w/guard), crank, rear axle	1	Seat
1	Steering Mechanism	2	Front wheels
1	Steering wheel	1	Rear Right Drive Wheel
1	Right Fender	1	Rear left Wheel
1	Left Fender	1	Bumper
1	Seat Base	1	Hood
		1	Brake level

We appreciate your purchase of this product, and hope you will be completely satisfied with your selection. Although great care has been taken to assure the highest quality, some problems may occur.

PLEASE DO NOT RETURN THIS PRODUCT TO THE STORE!

For questions concerning the safe use of this product please contact:
Help@morgancycle.com or 1-973-960-2688

ASSEMBLY AND OPERATING INSTRUCTIONS

STEP 1 Open carton, remove contents, and compare contents with parts list as Fig 1.

Note: To prevent scratching of the frame, it is recommended that you lay the parts out on top of a flattened cardboard box, or other soft surface.

A. Remove all contents from the carton. Check to make sure nothing is left in the box.
B. Unwrap all parts and compare them with the Parts list. Make sure nothing is missing. If anything is missing, email help@morgancycle.com

STEP 2 Attach the RIGHT (drive) WHEEL, make sure the three (3) clutch pins fits into the drive plate holes. Tighten nut with the LOCK WASHER.

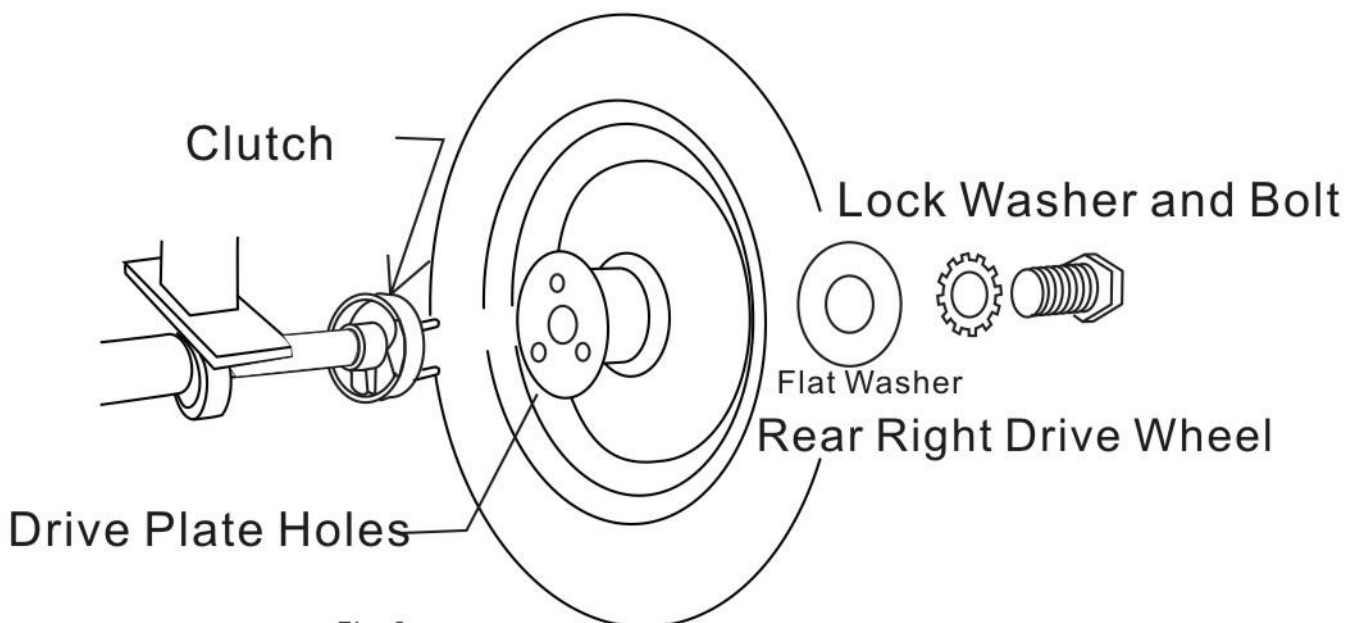
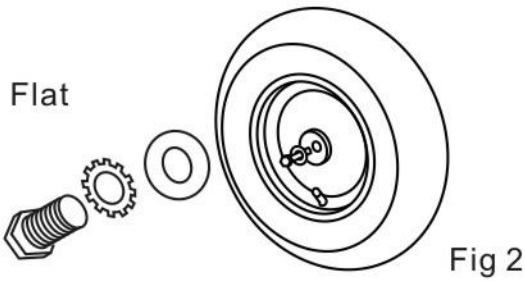
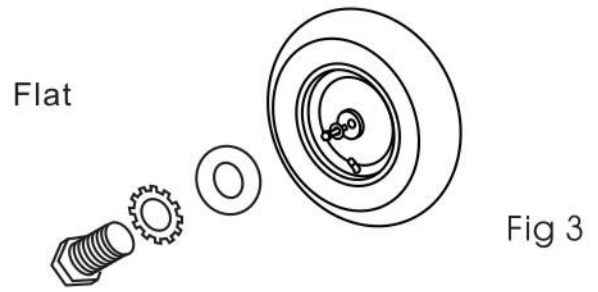


Fig 1

STEP 3
Attach the REAR LEFT wheel. Tighten nut.



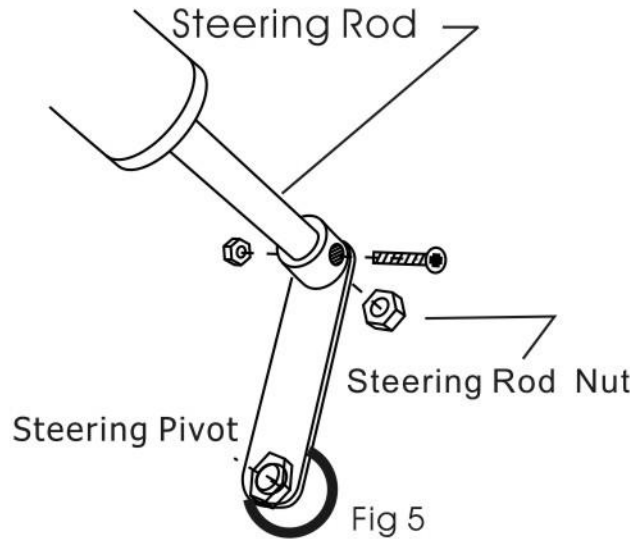
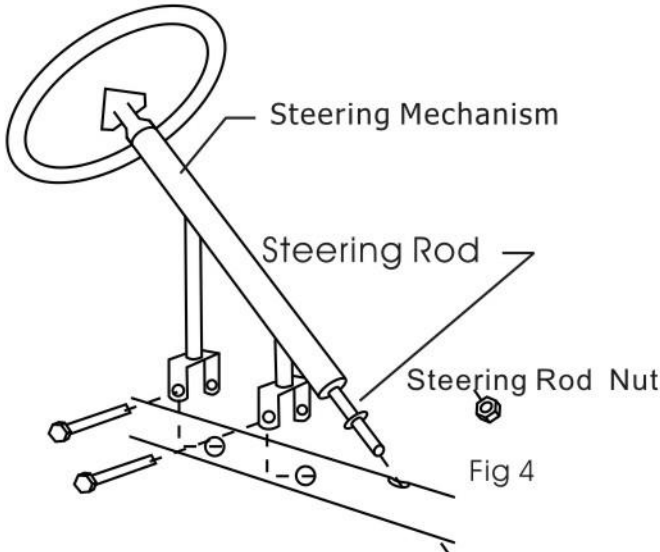
STEP 4
Attach the FRONT wheels. Tighten nut.



STEP 5 Connect the STEERING MECHANISM to Front Axle Set.

5A Remove the Steering Rod Nut from the end of the Steering Rod. Set aside for moment. Insert the Steering Rod into and thru the top hole of the Frame. Lower the Steering Mechanism clamps over the frame, as Fig 4. Connect the Steering Rod and Steering Pivot as the Fig 5. Insert the bolt thru the hole, use screw drive and wrench tighten the bolt and nut.

5B Tighten the Steering Rod Nut to the end of the Steering Rod by wrench.

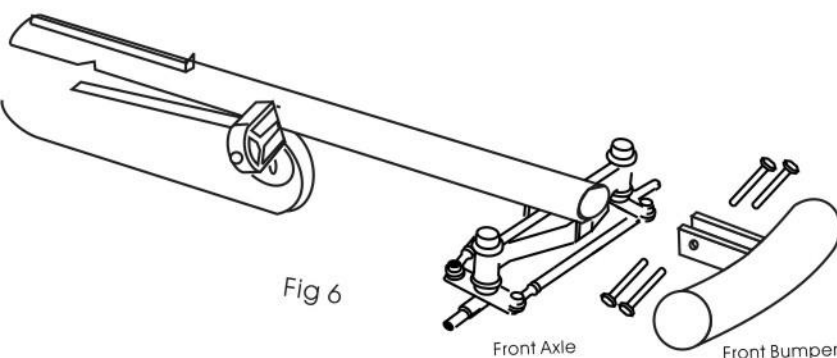


STEP 6 Attach the STEERING MECHANISM to the Frame.

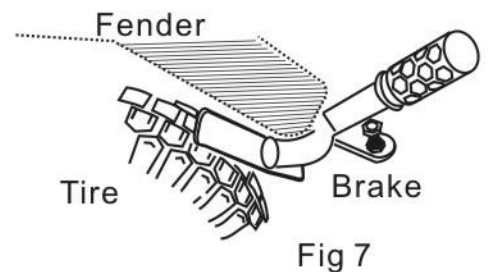
6A. Line up the 2 holes and re-insert the bolts. use wrench tighten the bolt and nut. (Fig. 4)
DO NOT OVER-TIGHTEN NUT.

STEP 7 Attach the FRONT BUMPER to Front Axle.

7A. Insert the bumper into the Frame Set.
Secure the bumper with bolts.

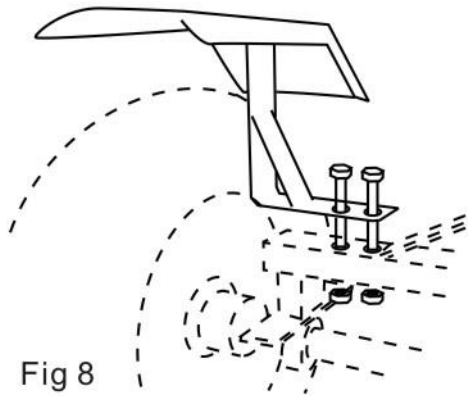


STEP 8 Secure the Brake lever into the frame, tighten the bolt and nut.

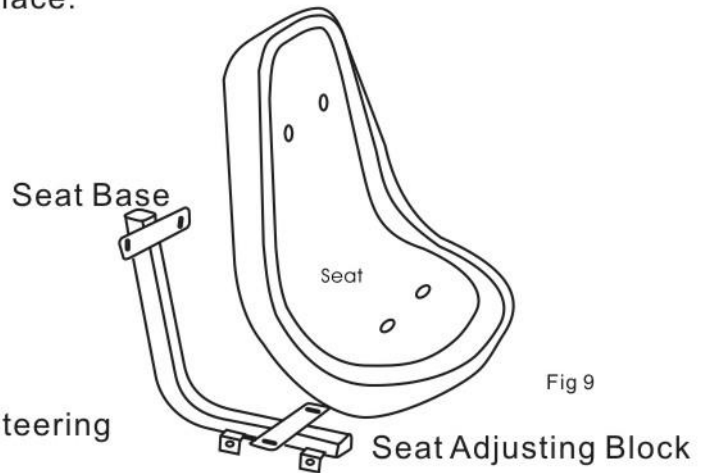


STEP 9 Attach the Fenders and Seat to the frame.

9A Secure Fender to Frame.



9B. Secure Seat to the Seat-base, and install the seat base to the frame. To adjust seat, loosen the nut on the Adjusting Block. then slide seat forward/back. Tighten the nut to secure seat in place.



STEP 10 Attach the steering wheel on the Steering Wheel Mechanism.

Steering Wheel Rod Bolt



Steering Wheel



10A. Using the wrench loosen the Steering Wheel Rod Bolt by turning in counter-clockwise direction. Secure the Steering Wheel to Steering Wheel Rod by tighten the 3 bolts and nuts. And attach the Steering Wheel Rod Bolt onto the Wedge by hand. In a twisting motion, raise or lower the Steering Wheel to desired height.

10B. Tighten the steering Wheel Rod Bolt to secure Steering Wheel in place.

Steering Wheel Stem
Minimum Insertion Line

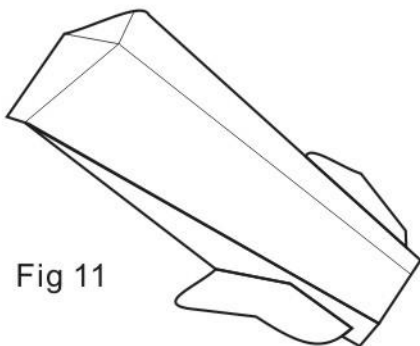
Wedge

Steering Mechanism

Fig 10

▲ Warning:

Steering Wheel Stem "Minimum Insertion" line must be completely inserted into the steering Mechanism.



STEP 11 Attach the HOOD onto the Steering Mechanism, and tighten the nuts.

A SPECIAL NOTE TO PARENTS/GUARDIANS :

It is a tragic fact that accidents can happen when playing on/around pedal cars. As a guardian, you bear the responsibility for the activities and safety of the child. Among those responsibilities are to make sure that the pedal car is properly assembled and fitted for your child; that it is in good repair and safe condition; and that both you and your child have learned and understood the safe operation of the pedal car. Always use caution when operating this vehicle, and NEVER ride on street.