

# **MORGAN**

## **Gas Pump Style Clock and Light**

### **Owner's Manual**

[Please keep this Owner's Manual for future reference. If you sell or give this product to someone, please include this Owner's Manual, and ask the new owners to read the instructions completely before operating.]

OPEN carton, remove contents, and compare contents with the parts list, make sure nothing is left in the box. Extend the folding trailer arm, until the flat plates meet and are flush, rotate the shaft of the tightening bolt into the slot in the two plates, and tighten the knob by hand.

### **PRIOR TO ASSEMBLY:**

- Please read this Owner's Manual completely before assembling or operating this product.
- Assembly of this product should be carried out by an adult.
- All parts are Wrapped in PACKING MATERIAL to prevent damage during shipment. Remove all packing materials from the box prior to assembly. Save all packing materials until assembly is complete to make sure no parts are accidentally thrown away. After assembly is complete, properly discard all waste.
- Refer to the Parts List and Diagram on page one of this manual to make sure all parts is accounted for.
- **DO NOT RETURN this product to the store!** If any parts are missing or damaged, please contact one of our Customer Service Representatives by e-mail: **help@morgancycle.com** or **(973) 218-9233**.

### **IMPORTANT SAFETY INFORMATION:**

When using electrical light, espically when children are present, basic safety precautions should always be followed, including the following:

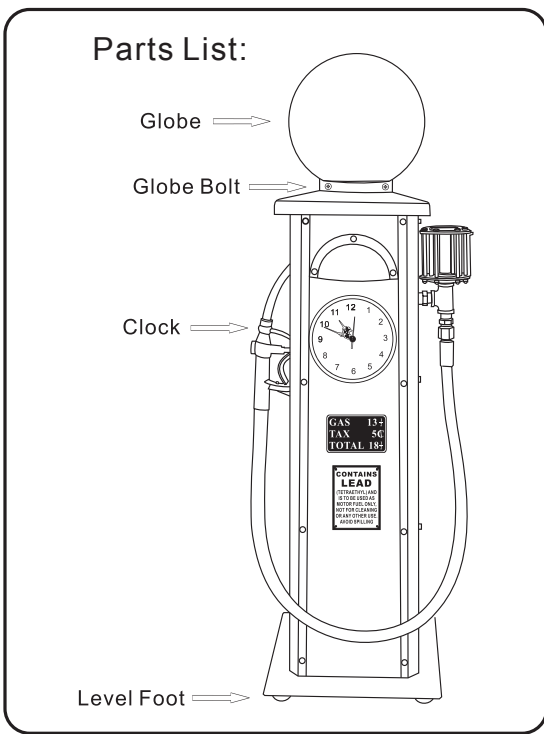
- 1) Read all instructions before assembly.
- 2) Do NOT use hot INCANDESCENT lightbulb! Use only cool 20 WATT or SMALLER ENERGY SAVING LIGHT, to prevent globe overheating.
- 3) Never pull or york the cord.
- 4) To insert plug, grasp it firmly and guide it into outlet.
- 5) Unplug the cord, before install or replace the lightbulb.
- 6) Never immerse this unit in water or any other liquid.
- 7) Never use steel wool, solver or abrasive cleaner to clean the surface, as they may damage or scratch the surface. A mild dishwashing soap may be used to clean the unit.
- 8) Do NOT place this gas pump lamp near any wet or damp area.
- 9) Indoor use only.
- 10) Assembly by adult only.

### **TOOLS REQUIRED FOR ASSEMBLY:**

- Screw Driver
- Adjustable Wrench

For Questions concerning the safe use of this product, or purchase other products, please contact Morgan Cycle at 1-973-218-9233 or [help@morgancycle.com](mailto:help@morgancycle.com)

### Parts List:



### Step 1:

Locate the Level Foot screws (total 4). Tighten the Level Foot screws by hand, at each corner of base. Adjust height

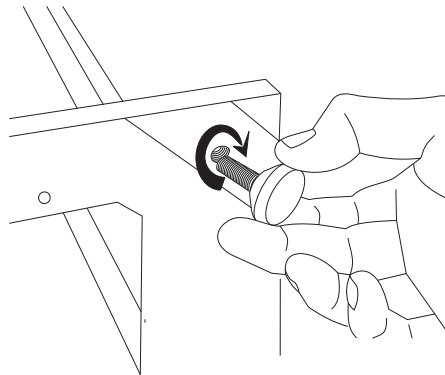


Figure 1

### Step 2:

Install the 20-watt or less Energy-Saving fluorescent Spiral or Triple Biax bulb.

**DO NOT USE INCANDESCENT BULB** that is too hot for globe.

Before mounting the globe, check to make sure the 3 Globe Bolts are cleared. **DO NOT ATTEMPT TO FORCE IN THE GLOBE PAST THE GLOBE BOLTS or COLLAR.** This would crack the glass globe.

Using a screw-driver, gently tighten the 3 Globe Bolts. **DO NOT** over tighten. You just want the bolts to secure to the black rubber gasket.

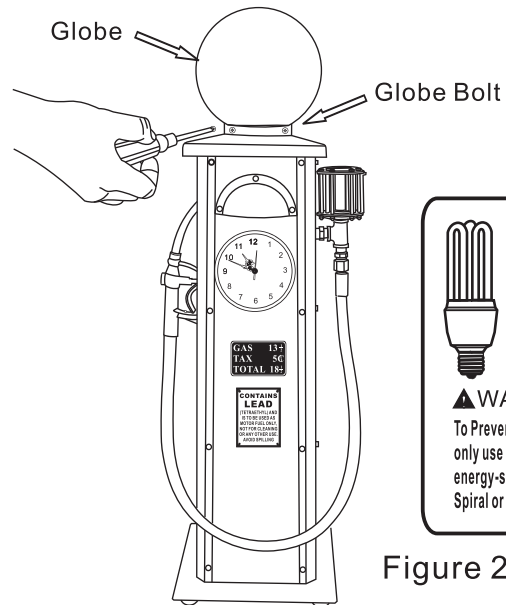


Figure 2

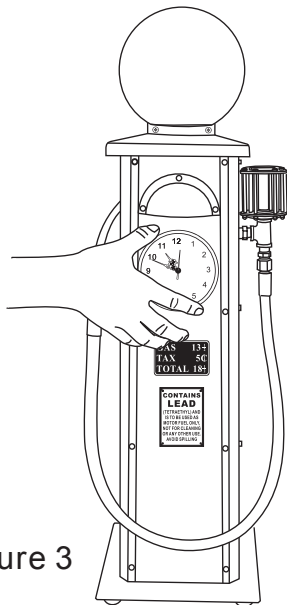


Figure 3

### Step 3

Locate the clock, adjust the time by turn the knob on the back of the clock, insert one 1.5 Volts AA battery into the battery chamber. Align the clock to vertical direction, and push into the body.

For Questions concerning the safe use of this product, please contact Morgan Cycle at 1-973-218-9233 or [help@morgancycle.com](mailto:help@morgancycle.com)