

Original Morgan Ace Biplane OWNER'S MANUAL

[Please keep this Owner's Manual for future reference. If you sell or give this product to someone, please include this Owner's Manual, and ask the new owners to read the instructions completely before operating.]

Congratulations for choosing your new *Original Morgan Ace Biplane*. We have carefully constructed our *Original Morgan Ace Biplane* so that its safety and performance meet the highest standards. Make sure the size of the Morgan Ace Biplane meets your child's personal requirements and that the Morgan Ace Biplane is assembled and adjusted by an adult. With proper care and maintenance, our new Morgan Ace Biplane will give your child riding pleasure for years to come. Some illustrations may vary from actual airplane as delivered.

Adult assembly required!

PRIOR TO ASSEMBLY:

- Please read this Owner's Manual completely before assembling or operating this product.
- Assembly of this product should be carried out by an adult.
- All parts are Wrapped in PACKING MATERIAL to prevent damage during shipment. Remove all packing materials from the box prior to assembly. Save all packing materials until assembly is complete to make sure no parts are accidentally thrown away. After assembly is complete, properly discard all waste.
- Refer to the Parts List and Diagram on page two of this manual to make sure all parts is accounted for.
- **DO NOT RETURN** this product to the store! If any parts are missing or damaged, please contact one of our Customer Service Representatives by e-mail: help@morgancycle.com or (973) 960-2688.

Tools Required For Assembly: 6" Screw Driver and Wrench

Your Morgan Ace Biplane will look as the picture shown as below, Figure 1.

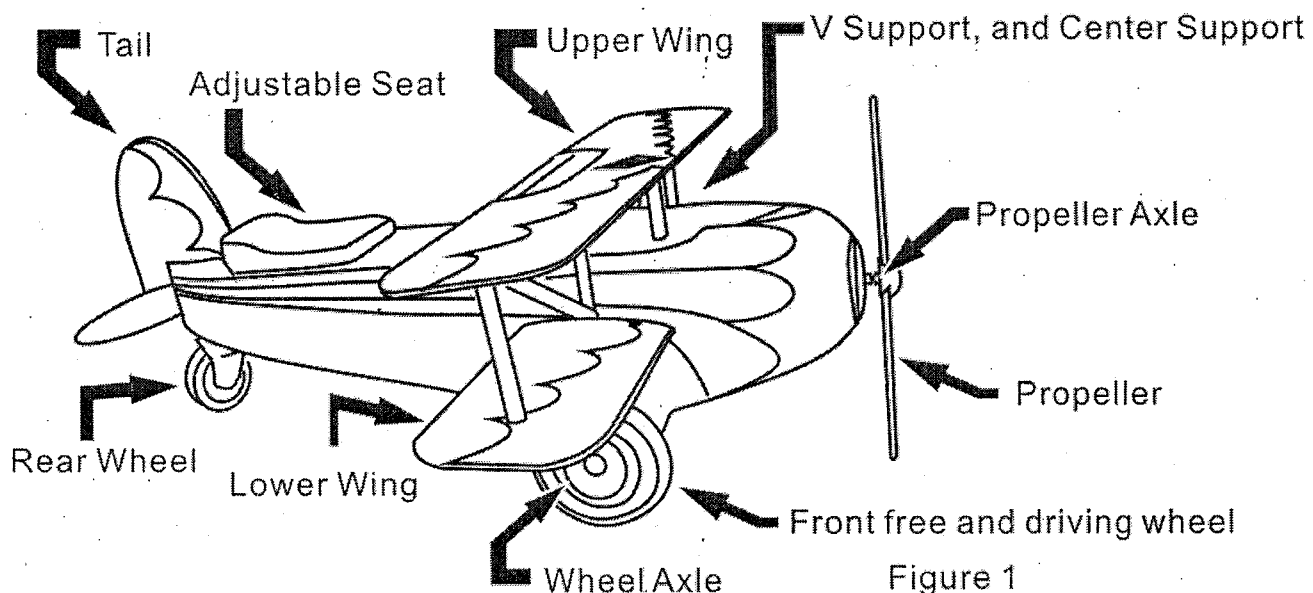


Figure 1

Questions? Service or Comments
help@morgancycle.com or call 973-960-2688

- Parts List**
 1 - Airplane Body
 1 - Rear Wheel
 1 - Propeller
 1 - L Lower Wing
 1 - R Lower Wing
 1 - Upper Wing
 1 - Center Support
 2 - N Support

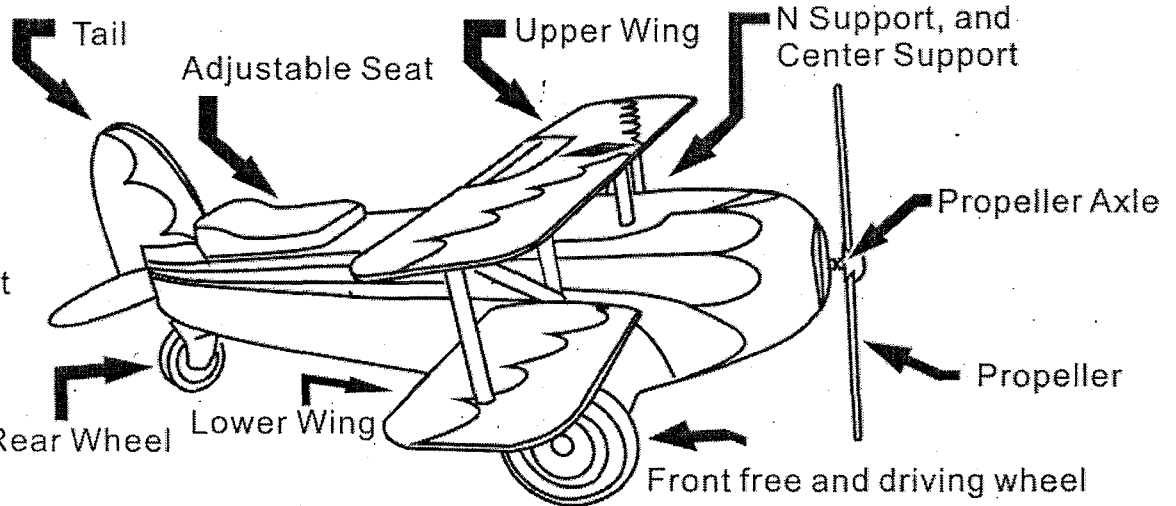


Figure 2

Tools Required For Assembly: 6" Screw Driver and Wrench.

⚠ Adult assembly required!

Step 1 Locate the lower wings, use the bolts and screw driver to secure the lower wing to the airplane body. Shown as the Figure 3.

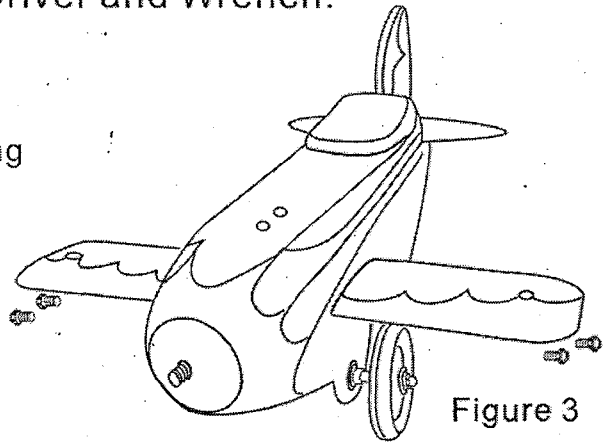


Figure 3

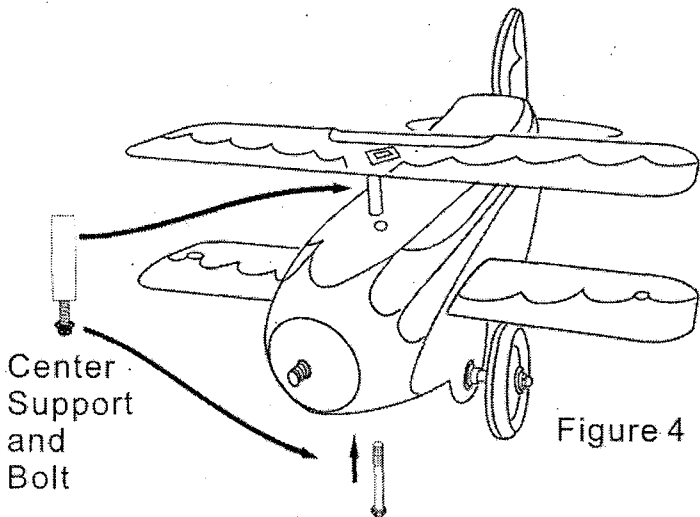


Figure 4

Step 2: Locate the upper wing and the center support. Remove both bolt from the Center support. From airplane underbelly, thread the bolt upward, through the Center Support, and insert into the welded nut of Upper Wing. Shown as the Figure 4.

Step 3 Use the screw driver to connect the N support to the upper wing, and the lower wing. Secure the two N supports. Shown as the Figure 5.

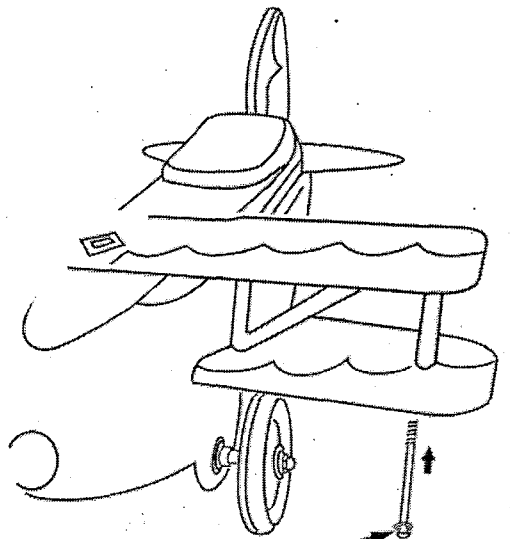
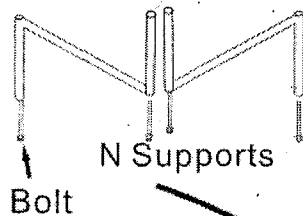


Figure 5

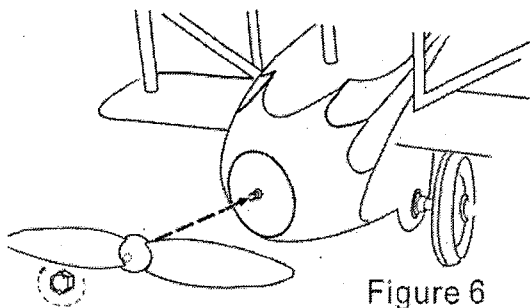


Figure 6

Step 4 : Twisting the head nut in Clockwise direction by hand, screw the head nut onto the front screw of Airplane nose. Shown as Figure 6