

Morgan Cruiser Bicycle OWNER'S MANUAL

HELMETS SAVE LIVES!

Always wear a helmet when your child ride the bicycle.

[Please keep this Owner's Manual for future reference. If you sell or give this product to someone, please include this Owner's Manual, and ask the new owners to read the instructions completely before operating.]

Congratulations for choosing your new Morgan Bicycle. We have carefully constructed your Morgan Bicycle so that its safety and performance meet the highest standards. Make sure the size of the Bicycle meets your child's personal requirements and Bicycle is assembled and adjusted by an adult. With proper care and maintenance, your new bicycle will give your child riding pleasure for years to come.

A SPECIAL NOTE TO PARENTS/GUARDIANS : It is a tragic fact that accidents can happen when playing on/around any bicycle. As a guardian, you bear the responsibility for the activities and safety of the child. Among those responsibilities are to make sure that the bicycle is properly fitted for your child; that it is in good repair and safe condition; that you and your child have learned and understood the safe operation of the bicycle; and that you and your child have learned, understand that this bicycle is not for riding on the street. For parents of young riders not able to read this manual: Take time to explain the material to your child. Some illustrations may vary from actual bicycles as delivered. If you have any questions after reading this manual, please contact one of our Customer Service Representatives by

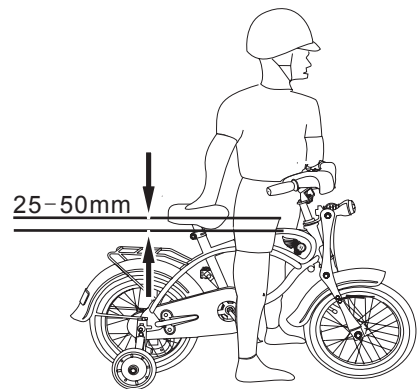
Email help@morgancycle.com or (973) 960-2688.

PRIOR TO ASSEMBLY:

- ★ Please read this Owner's Manual completely before assembling or operating this product.
- ★ Assembly of this product should be carried out by an adult.
All parts are Wrapped in PACKING MATERIAL to prevent damage during shipment. Remove all packing materials from the box prior to assembly. Save all packing materials until assembly is complete to make sure no parts are accidentally thrown away. After assembly is complete, properly discard all waste.
- ★ Refer to the Parts List and Diagram on page one of this manual to make sure all parts is accounted for.
- ★ **DO NOT RETURN this product to the store!** If any parts are missing or damaged, please contact one of our Customer Service Representatives by e-mail: help@morgancycle.com or **(973) 960-2688**.

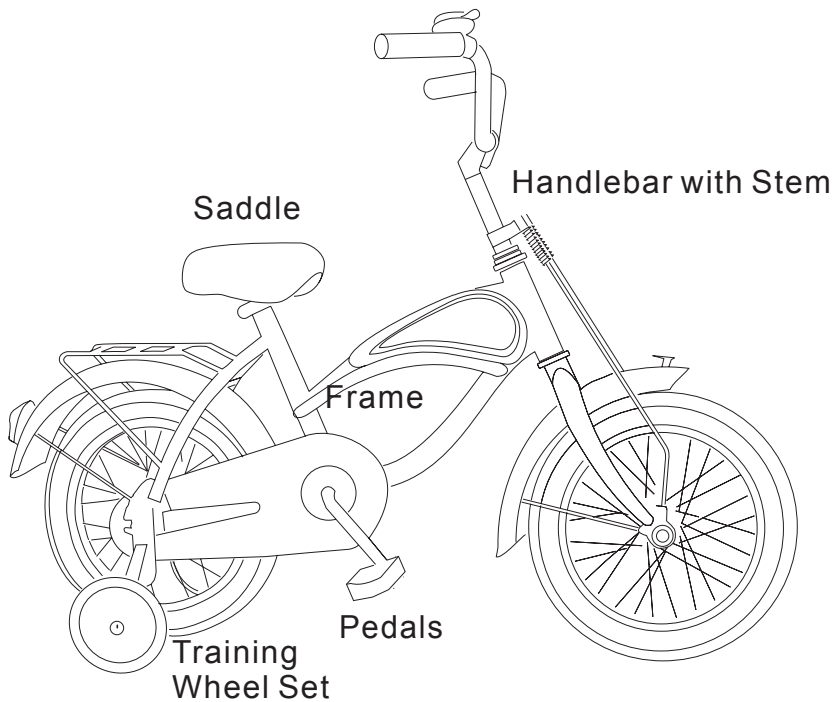
CORRECT FRAME SIZE

For safety riding, there should be a clearance of between 25 mm to 50 mm between the groin area of the intended rider and the top tube of the bicycle frame, where the rider straddles the bicycle with both feet flat on the ground.



Service or Comments help@morgancycle.com or 973-960-2688

Follow the 4 Step instructions below, in order from 1 to 4



Your new Bicycle carton should contain the following components

TOOLS
REQUIRED
FOR
ASSEMBLY:

6" or 8"
Adjustable
Wrench

Fig 1 Parts List and Diagram

Step 1 Put Training wheel set on the rear wheel.

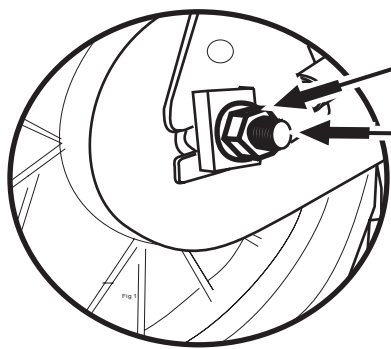


Fig 2

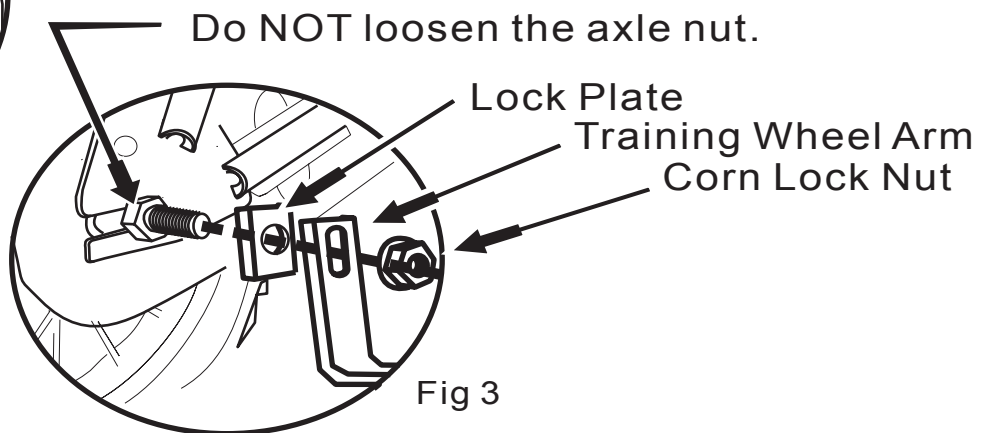
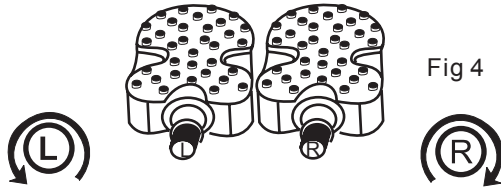


Fig 3

- 1) Start by loosening the Corn Lock Nut from rear axle. Shown as Figure 2.
- 2) Do NOT loosen the axle nut.
- 3) Put the Training Wheel Arm on top of the Lock Plate, as Figure 3, and thread the Corn Lock Nut, tighten in clockwise motion by wrench.
- 4) Finish the other side.

Step 2 Pedals Assembly
Look for the letters "R" for right,
and "L" for the left.

R is the Chain Cover side.

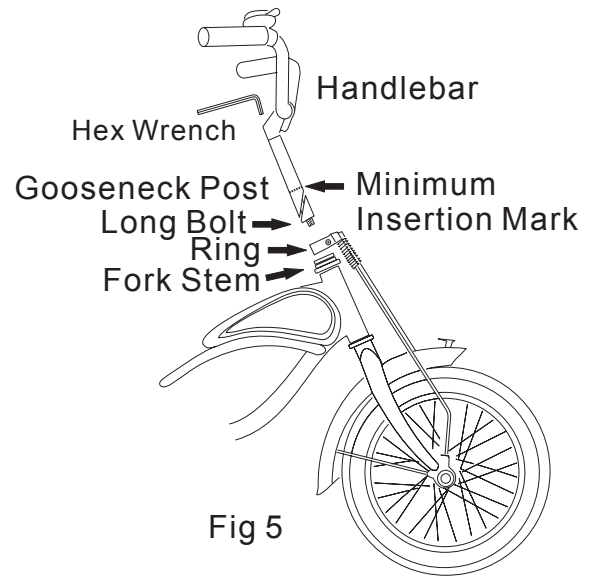


- 1) To avoid stripping the thread, begin inserting the pedal by HAND. Only use the Wrench to securely tighten the pedal.
- 2) NOTE: the RIGHT-HAND pedal screws in CLOCKWISE motion.
- 3) NOTE: the LEFT-HAND pedal screws in COUNTER-CLOCKWISE motion

Step 3 Handlebar Assembly

- 1) Begin by insert the Gooseneck post into the Ring and Fork Stem. Shown in Fig 5.
- 2) Adjust the Handlebar Height to fit your child. Make sure the MINIMUM INSERT MARK on the fork stem is not exposed.
- 3) Using the 6mm Hex Wrench tighten the Long Bolt to securely attach Handlebar to Fork Stem.

! WARNING:
MAKE SURE "MINIMUM INSERT" MARK
ON POST IS NOT EXPOSED



Step 4 Saddle Assembly

- 1) Insert seat post and saddle into the bicycle frame at desire level. Make sure "MINIMUM INSERTION" mark on the seat post is not exposed.
- 2) Before tighten the seat post blind bolt, check the saddle and bicycle frame is properly aligned.
- 3) Tighten the seat post blind nut by wrench in clockwise motion.

! WARNING:
MAKE SURE "MINIMUM INSERT" MARK
ON POST IS NOT EXPOSED

Figure 6 This is how your new Morgan Bicycle should look when assembly completed.

